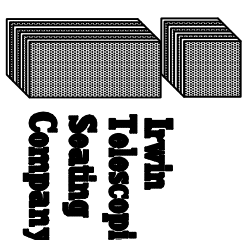


“PROSPECT DRAWING FOR CONCEPT ONLY. NOT FOR CONSTRUCTION.”

LOCATION MAP PLAN NORTH

VERIFY

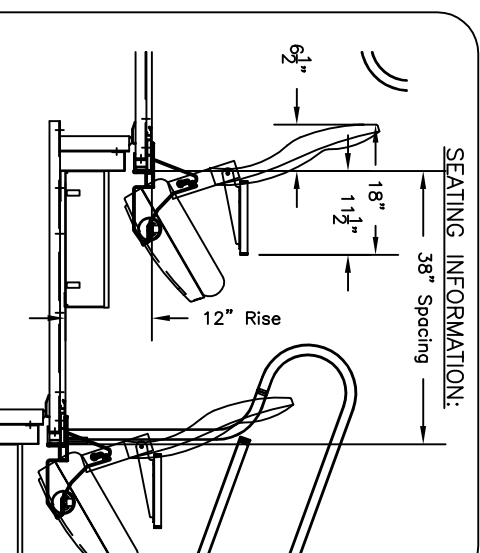
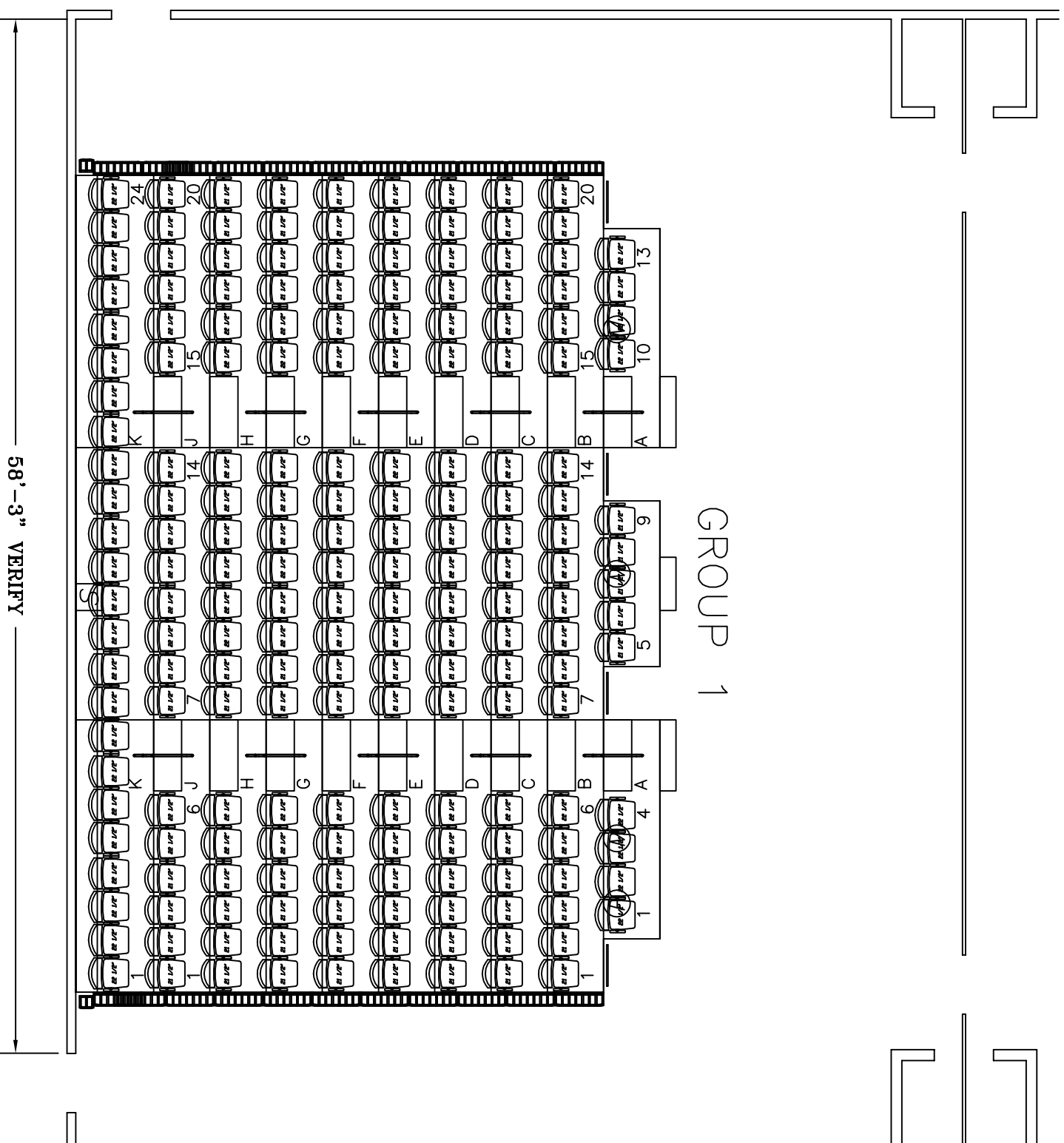


IRWIN TELESCOPIC SEATING CO.
 US ROUTE 40 EAST
 PO BOX 320
 ALAMON, IL 62411
 Toll Free: (877) 597-1122
 Phone: (618) 483-6157
 Fax: (618) 483-5539
 www.irwinteleseating.com

REQUIREMENTS:

GROUP 1: 197 SEATS
 TOTAL: 197 SEATS

NOTES:
 ALL VERIFIABLE DIMENSIONS ARE SUBJECT TO CHANGE PENDING FIELD VERIFICATION.
 FLOOR SHALL BE SMOOTH AND LEVEL, WITH SLOPE NOT TO EXCEED 1/8" IN 10'-0" (ALTERNATIVELY RECOMMEND F550/FL35)
 SEATING NUMBERING TO PRESENTED ON OVERALL SEATING MANIFEST



Choir Size	Choir Qty.	Total Seat Count
21.5	85	197

GENERAL SEATING

MODEL	Per Mfg. Std.	Per Mfg. Std.	Per Mfg. Std.	COLOR(S)/UPHOLSTERY
Seat Plastic	12s	Millennium	Plastic	
ARM 1	N/A			
ARM 2	N/A			
Seat Fabric	Directional	UP/DOWN/ACROSS		
Back Fabric	Directional	UP/DOWN/ACROSS		

No.	Revision/Issue	Rev Date	Drafter Initials	Appr'd Date	Engineer Initials
A					

NC DANCE THEATER
CHARLOTTE, NC

BUILDING LAYOUT DWG. NO. PROSPECT
 SCALE: 1/8" = 1'
 DRAWN BY: CEB DATE: 4/7/09 PRJ. NO. C091217
 CHECKED BY: ZRT 4-13-09 SHEET 1 OF 4 REV. NO. 0

A
 1
 BUILDING LAYOUT
 SCALE: 1/8" = 1'-0"

ALTHOUGH BUILDING CODES HAVE BEEN CONSIDERED IN DEVELOPING THIS SEATING PLAN, VERIFICATION OF COMPLIANCE WITH BUILDING CODES IS THE EXCLUSIVE RESPONSIBILITY OF THE CUSTOMER AND/OR ARCHITECT.