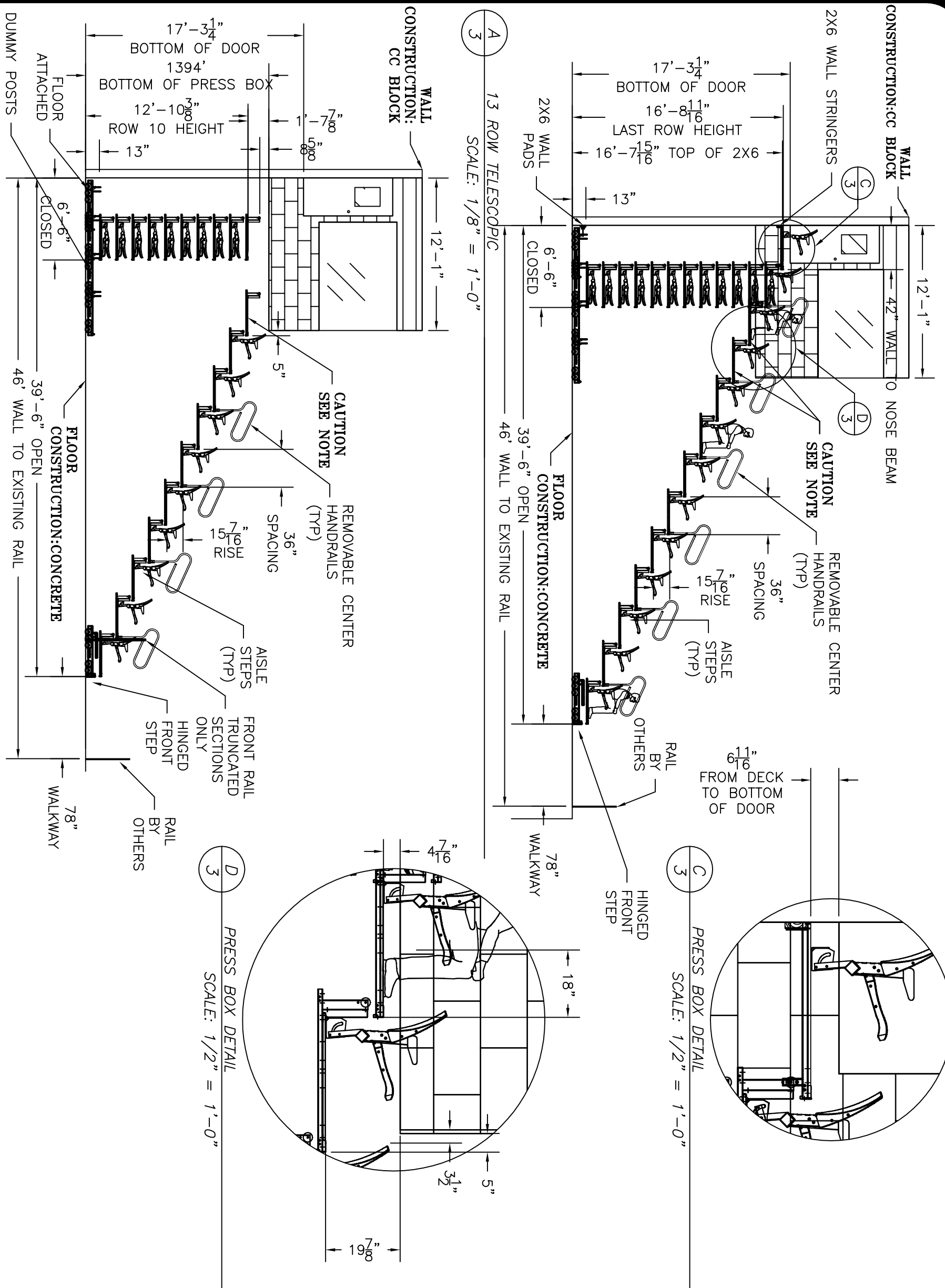


Irwin Telescopic Seating Company
 IRWIN TELESCOPIC SEATING CO.
 US ROUTE 40 EAST
 PO BOX 320
 ALMONGI, IL 62411
 Toll Free: (877) 597-1122
 Phone: (618) 483-6157
 Fax: (618) 483-5539
 www.irwinteleseating.com

NOTE: GAPS OCCUR AT PRESS BOX AREA ON DECKS 10 AND 11. OWNER TO BE RESPONSIBLE FOR CLOSING OFF GAPS UNDER PRESS BOX AFTER INSTALLATION.



No.	Revision/Issue	Rev Date	Drafter Initials	Appr'd Date	Engineer Initials
H	CHANGES PER FC/FPD	04/09/09	JHG	4-13-09	ZBT
G	ADDED WP + ELECTRICAL	2/25/09	CEB		
F	REMOVED CUP HOLDERS	02/13/09	JHG		

PITTSBURG STATE UNIVERSITY FIELDHOUSE
 PITTSBURG, KS

ELEVATION		DATE		PRJ. NO.		SHEET		REV. NO.	
SCALE:	1/8" = 1'	08/26/08	08/26/08	B082381	3	6	H		
DRAWN BY:	CEB								
CHECKED BY:	S.D.	8/28/08							

ALTHOUGH BUILDING CODES HAVE BEEN CONSIDERED IN DEVELOPING THIS SEATING PLAN, VERIFICATION OF COMPLIANCE WITH BUILDING CODES IS THE EXCLUSIVE RESPONSIBILITY OF THE CUSTOMER AND/OR ARCHITECT.