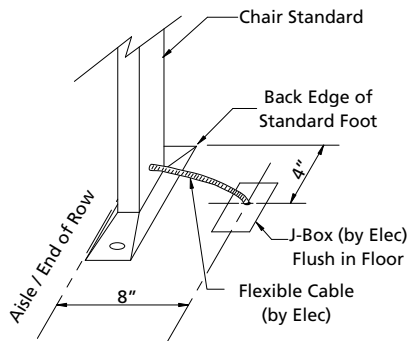


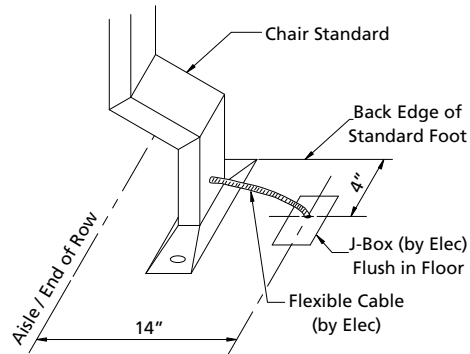
Auditorium Design Junction Box Placement

Location of aisle light junction boxes at aisle light chair standards is important to good auditorium design. Junction boxes serving aisle lights must be located to prevent them from obstructing traffic flow or inconveniencing patrons. Junction boxes should be located as far from reach as possible, and never close to a walkway.

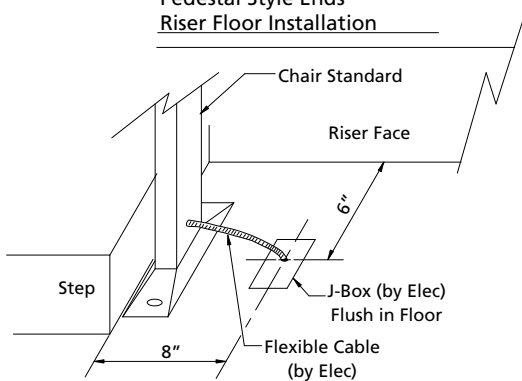
Pedestal Style Ends
Flat/Sloped Floor Installation



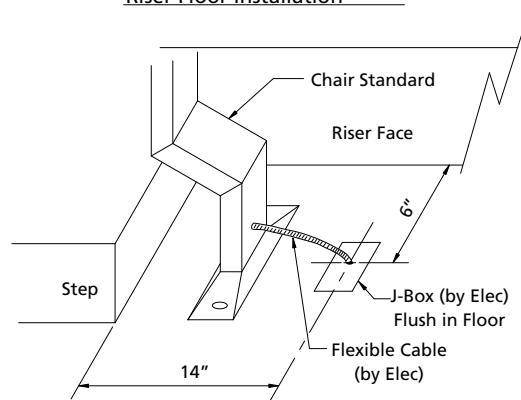
Cantilever Ends
Flat/Sloped Floor Installation



Pedestal Style Ends
Riser Floor Installation



Cantilever Ends
Riser Floor Installation



Riser Mount Ends
Riser Face Installation

