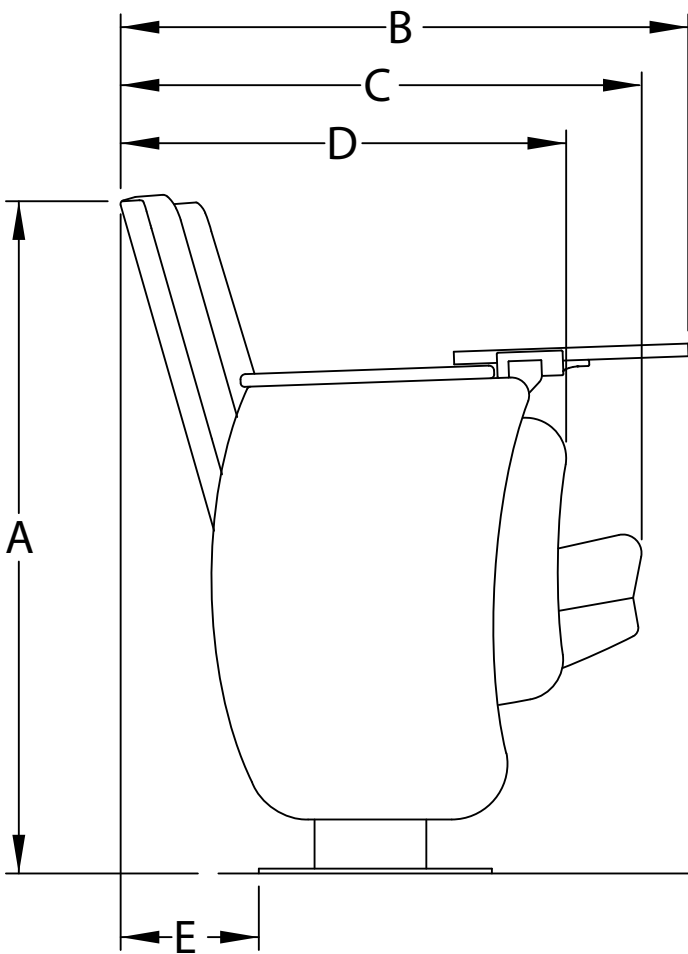


4.12.150 Citation E-Link

with 3/4-Fold Seat



EXPLANATION OF DIMENSIONS

- A = Back Height
- B = T-arm In Writing Position
- C = Seat In Down Position
- D = Center Tablet Arm
In Down Position
- E = Back Pitch Allowance

DIM	BACK PITCH		
	24°	20°	16°
A	31 7/8	32 9/16	33 3/16
B	30 7/16	29 1/4	28
C	28 1/8	26 15/16	25 11/16
D	24 7/16	23 1/4	22
E	9 1/4	8 1/16	6 13/16

UPDATED 9/09/02 DEW (NOT TO SCALE)