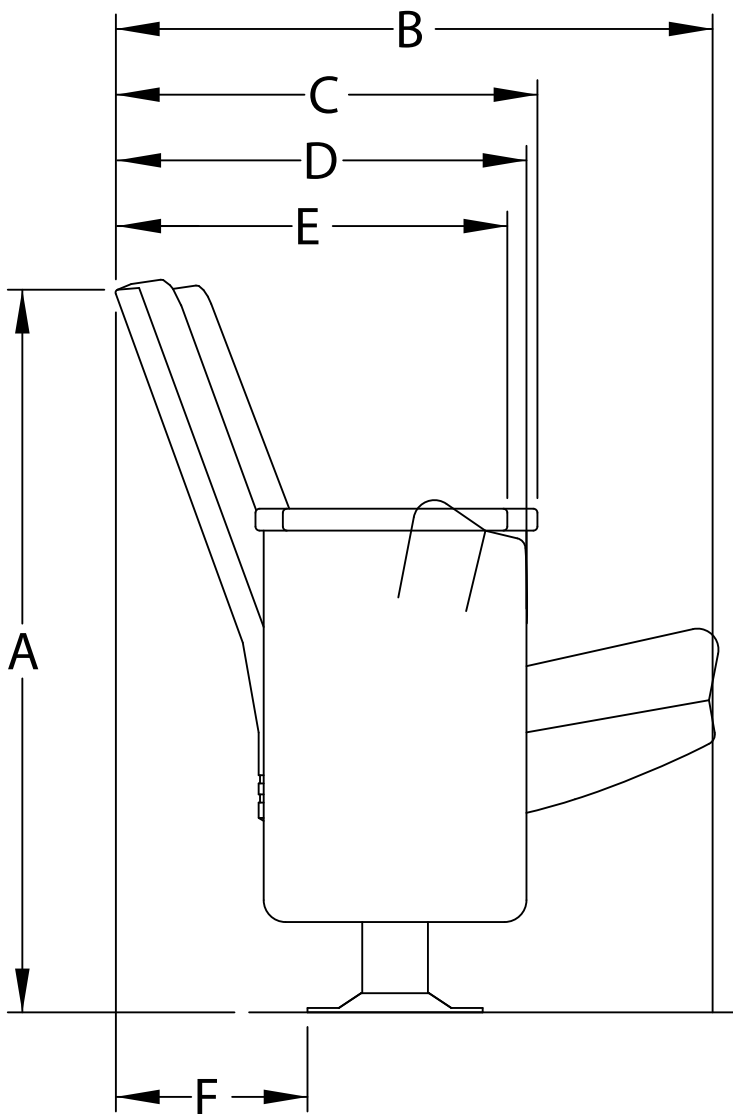


## 4.12.56 Citation

with 3/4-Fold Seat



### EXPLANATION OF DIMENSIONS

A = BACK HEIGHT

B = SEAT IN DOWN POSITION

C = REAR OF BACK TO  
FRONT OF END ARM

D = SEAT IN UP POSITION

E = REAR OF BACK TO  
FRONT OF CENTER ARM

F = BACK PITCH ALLOWANCE

DIM	BACK PITCH	
	20°	16°
A	33	33 1/2
B	27 1/4	26
C	19 1/4	18
D	18 3/4	17 1/2
E	17 7/8	16 5/8
F	8 3/4	7 1/2

UPDATED 11/18/03 DEW (NOT TO SCALE)