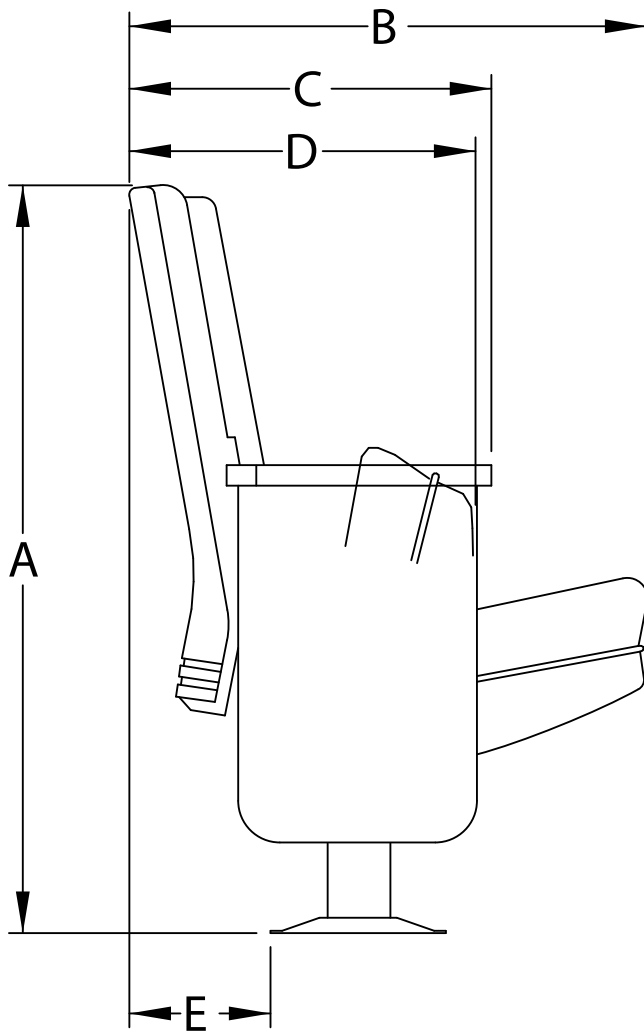


# 4.12.56 Citation High Back

Floor Mount



## EXPLANATION OF DIMENSIONS

- A = Back Height
- B = Seat In Down Position
- C = Rear Of Back To  
Front Of Center Arm
- D = Seat In Up Position
- E = Back Pitch Allowance

DIM	BACK PITCH		
	24°	20°	16°
A	34 1/2	35	35 1/2
B	29 3/4	28 1/2	27 1/4
C	20 1/8	18 7/8	17 5/8
D	21 1/4	20	18 3/4
E	11	10	8 3/4

NEW 12/02/02 DEW (NOT TO SCALE)