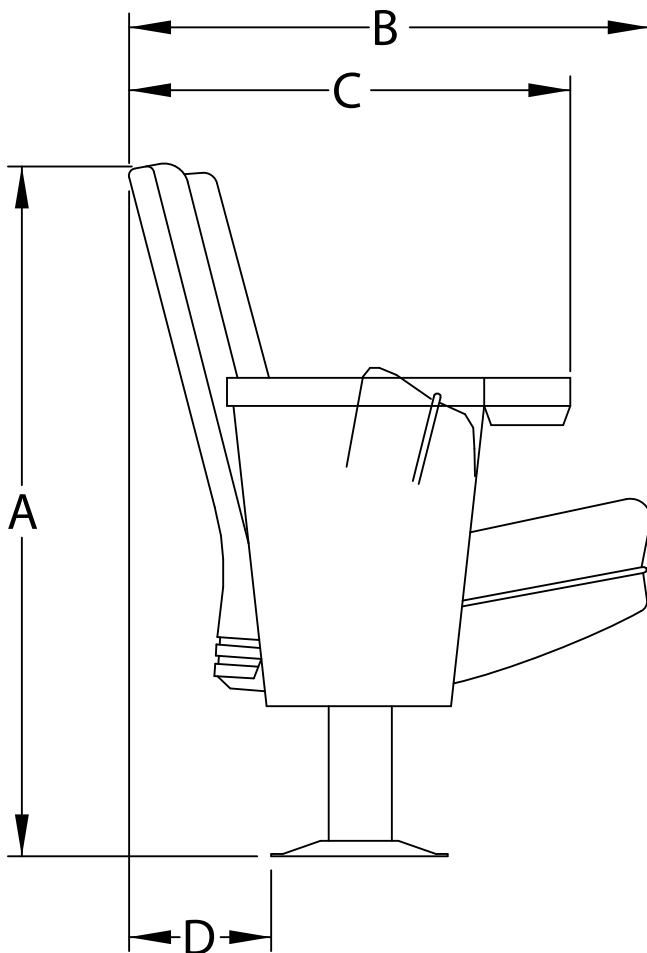


4.12.86 Citation

with 3/4-Fold Seat



EXPLANATION OF DIMENSIONS

A = Back Height

B = Seat In Down Position

C = Rear Of Back To
Front Of End Arm

D = Back Pitch Allowance

DIM	BACK PITCH	
	20°	16°
A	33	33 1/2
B	27	25 3/4
C	21 7/8	20 5/8
D	8 3/4	7 1/2

UPDATED 9/7/01 DEJ (NOT TO SCALE)