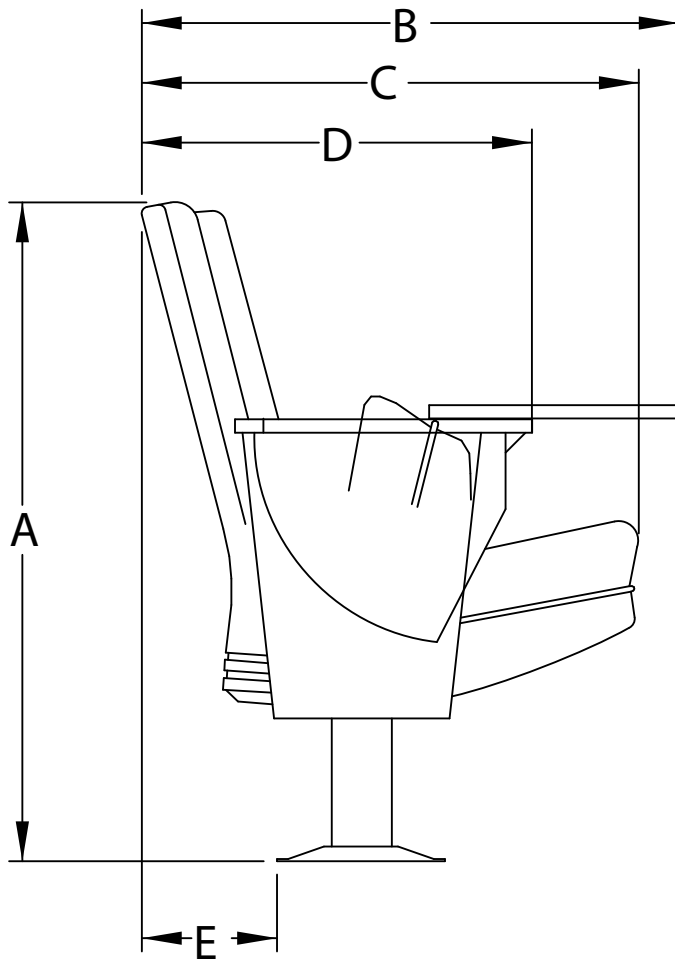


# 4.12.86TA Citation

with 3/4-Fold Seat



## EXPLANATION OF DIMENSIONS

- A = Back Height
- B = T-arm In Writing Position
- C = Seat In Down Position
- D = Center Tablet Arm  
In Down Position
- E = Back Pitch Allowance

DIM	BACK PITCH		
	24°	20°	16°
A	32 1/2	33	33 1/2
B	31 1/8	29 7/8	28 5/8
C	28 3/4	27 1/2	26 1/4
D	22 5/8	21 3/8	20 1/8
E	10	8 3/4	7 1/2

UPDATED 4/8/03 DEW (NOT TO SCALE)