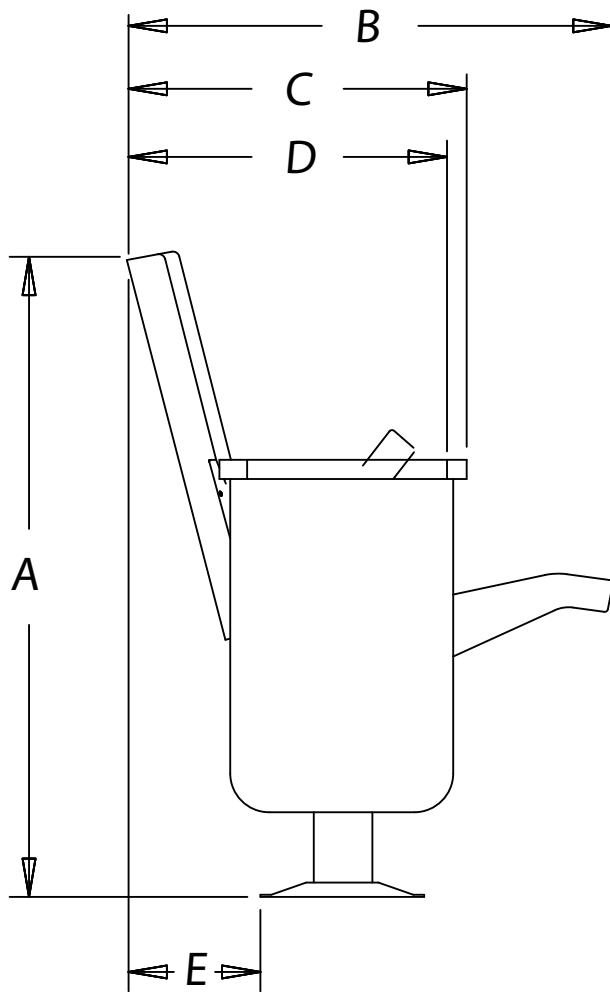


1.14.56 Crusader

Floor Mount



EXPLANATION OF DIMENSIONS

A = Back Height

B = Seat In Down Position

C = Rear Of Back To
Front Of End Arm

D = Seat In Up Position

E = Back Pitch Allowance

DIM	BACK PITCH	
	20°	16°
A	31 7/8	32 5/8
B	25 7/8	24 5/8
C	19	17 3/4
D	18 1/8	16 7/8
E	8 5/8	7 3/8

REVISED 4/17/06