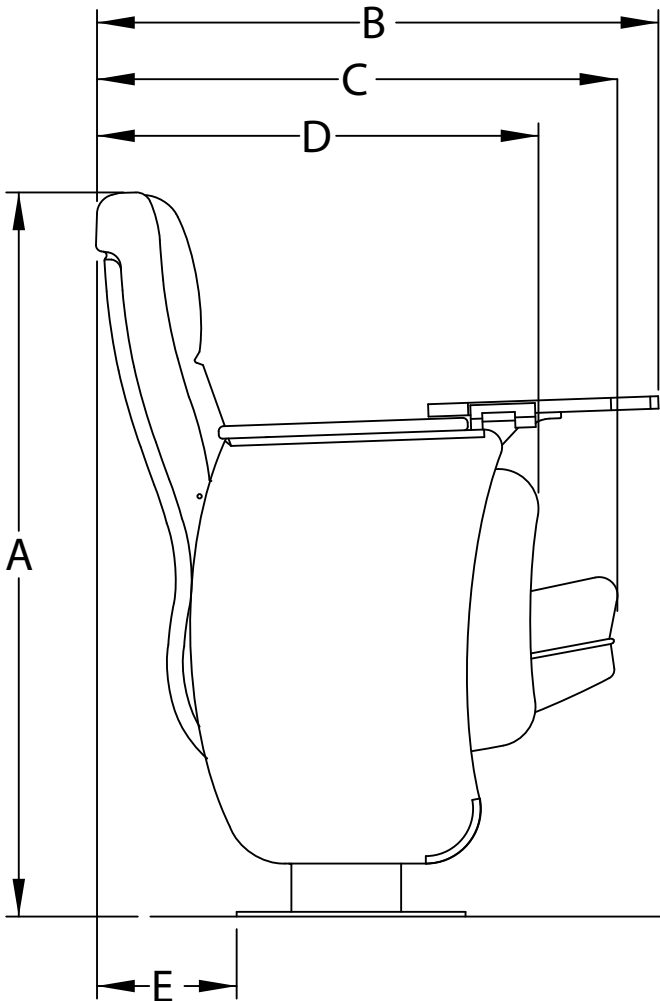




51.12.150 Marquee E-Link

Floor Mount with 3/4 Fold Seat



EXPLANATION OF DIMENSIONS

- A = Back Height
- B = T-arm In Writing Position
- C = Seat In Down Position
- D = Center Tablet Arm
In Down Position
- E = Back Pitch Allowance

DIM	BACK PITCH		
	26°	22°	18°
A	35 3/16	35 3/4	36 3/8
B	31	29 5/8	28 1/4
C	28 15/16	27 9/16	26 3/16
D	24 15/16	23 5/8	22 1/4
E	9 3/4	8 7/16	7 1/16

NEW 9/11/03 DEW (NOT TO SCALE)