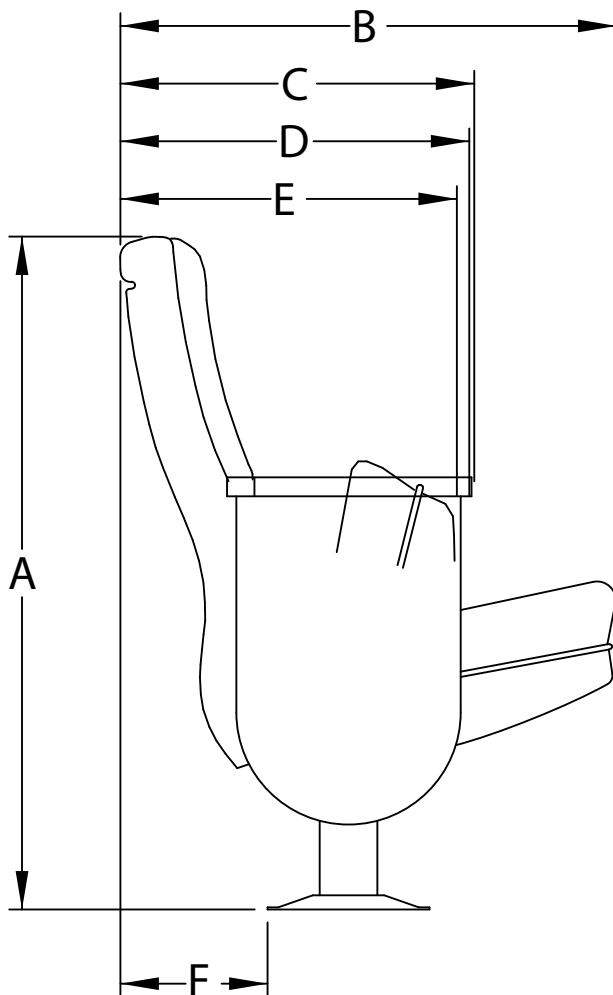


# 51.12.66 Marquee

## Floor Mount with 3/4 Fold Ergo Seat



### EXPLANATION OF DIMENSIONS

A = Back Height

B = Seat In Down Position

C = Rear Of Back To  
Front Of End Arm

D = Seat In Up Position

E = Rear Of Back To  
Front Of Center Arm

F = Back Pitch Allowance

DIM	BACK PITCH		
	26°	22°	18°
A	35	35 3/4	36 1/4
B	29	27 3/4	26 1/2
C	20 7/8	19 5/8	18 3/8
D	20 3/4	19 1/2	18 1/4
E	19 5/8	18 3/8	17 1/8
F	10 1/2	9 1/4	8

UPDATED 10/18/02 DEW (NOT TO SCALE)