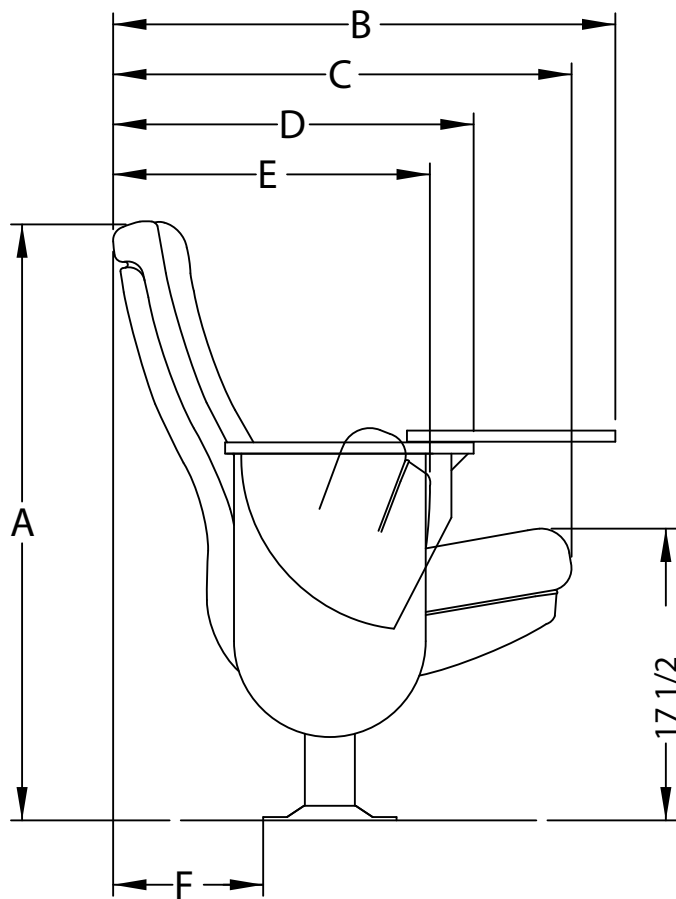


51.12.66TA Marquee

Floor Mount with 3/4 Fold Seat & Tablet Arm



EXPLANATION OF DIMENSIONS

- A = Back Height
- B = Rear Of Back To Front Of
Center T.A. In Writing Position
- C = Seat In Down Position
- D = Rear Of Back To Front Of
Center T.A. In Stowed Position
- E = Seat In Up Position
- F = Back Pitch Allowance

DIM	BACK PITCH		
	26°	22°	18°
A	35	35 3/4	36 1/4
B	31 3/8	30 1/8	28 5/8
C	28 3/4	27 1/2	26
D	22 7/8	21 5/8	20 1/8
E	20 1/4	19	17 3/4
F	10 1/4	9	7 1/2

UPDATED 12/11/03 DEW (NOT TO SCALE)