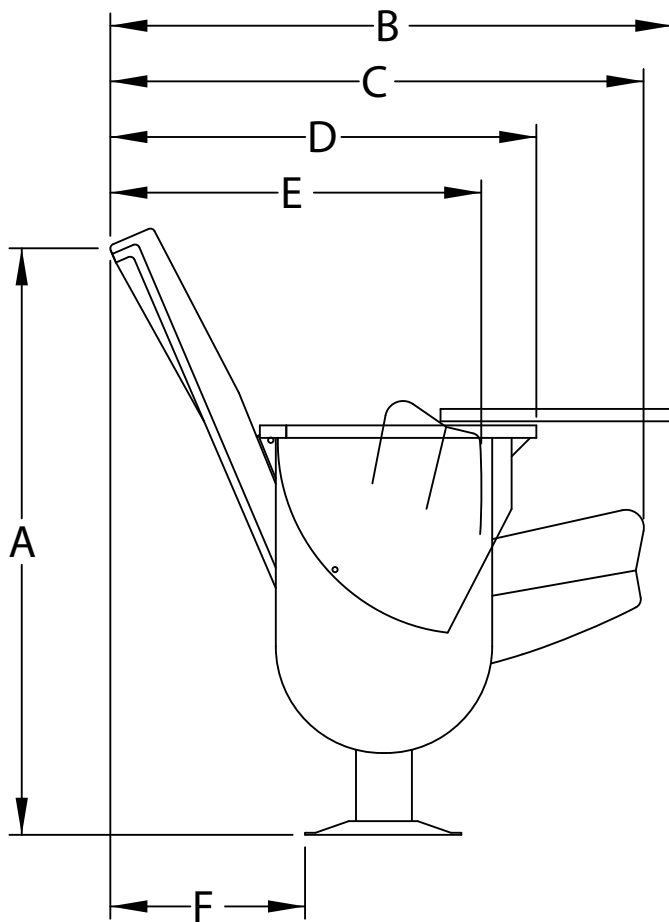


47.12.66TA Millennium

Floor Mount with 3/4 Fold Seat & Tablet Arm



EXPLANATION OF DIMENSIONS

A = Back Height

B = Center Tablet Arm In Writing Position

C = Seat In Down Position

D = Center Tablet Arm In Stowed Position

E = Seat In Up Position

F = Back Pitch Allowance

DIM	BACK PITCH		
	26°	22°	18°
A	30 3/4	31 1/2	32 1/8
B	31 3/4	30 5/8	29 1/4
C	29 1/8	28	26 5/8
D	23 1/4	22 1/8	20 3/4
E	20 5/8	19 1/2	18 1/8
F	10 5/8	9 1/2	8 1/8

UPDATED 9/05/03 DEW (NOT TO SCALE)