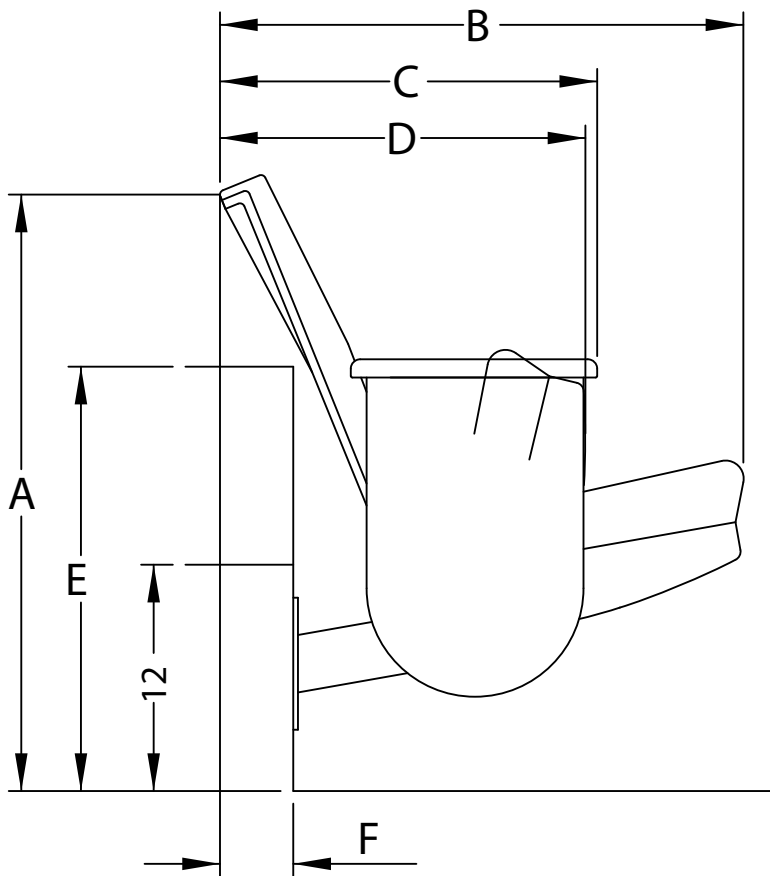


# 47.12.66 Millennium

## High Riser Mount with 3/4 Fold Seat



### EXPLANATION OF DIMENSIONS

- A = Back Height
- B = Seat In Down Position
- C = Rear Of Back To  
Front Of End Arm
- D = Seat In Up Position
- E = Maximum Riser Height
- F = Back Pitch Overhang

DIM	BACK PITCH		
	26°	22°	18°
A	30 3/4	31 1/2	32 1/8
B	29 1/8	28	26 5/8
C	21 1/8	20	18 5/8
D	20 5/8	19 1/2	18 1/8
E	18 3/4	20	21 1/2
F	5 1/16	3 15/16	2 9/16

UPDATED 9/05/03 DEW (NOT TO SCALE)