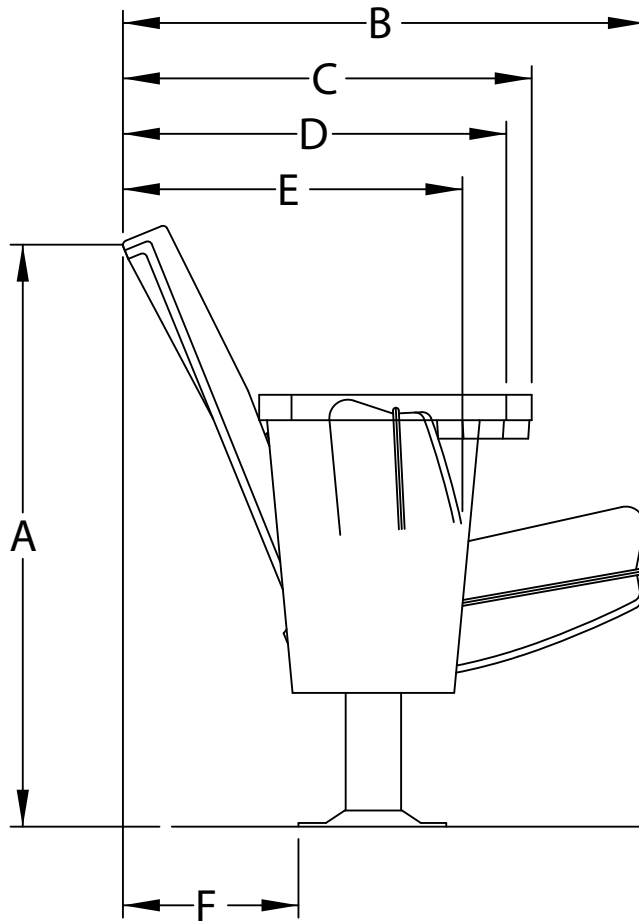




47.12.86 Millennium

Floor Mount with Full Fold Seat & Cupholder



EXPLANATION OF DIMENSIONS

- A = Back Height
- B = Seat In Down Position
- C = Rear Of Back To Front Of End Arm
- D = Rear Of Back To Front Of Center Arm
- E = Seat In Up Position
- F = Back Pitch Allowance

DIM	BACK PITCH		
	26°	22°	18°
A	30 3/4	31 1/2	32 1/8
B	29 1/8	28	26 5/8
C	23 1/4	22 1/8	20 3/4
D	21 7/8	20 3/4	19 3/8
E	19 5/8	18 1/2	17 1/8
F	10 5/8	9 1/2	8 1/8

UPDATED 9/05/03 DEW (NOT TO SCALE)