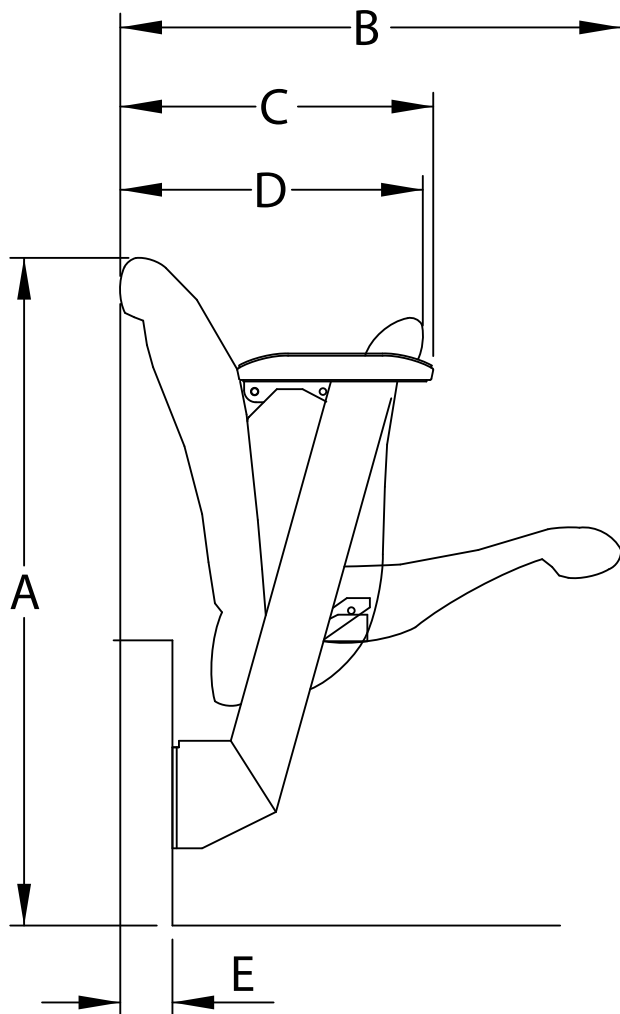


30.32.30 Patriot

High Riser Mount



EXPLANATION OF DIMENSIONS

A = Back Height

B = Seat In Down Position

C = Rear Of Back To
Front Of End Arm

D = Seat In Up Position

E = Back Pitch Overhang

DIM	BACK PITCH
	STANDARD
A	32
B	23 5/8
C	15 1/8
D	14 1/2
E	2 3/8

NEW 10/28/03 DEW (NOT TO SCALE)