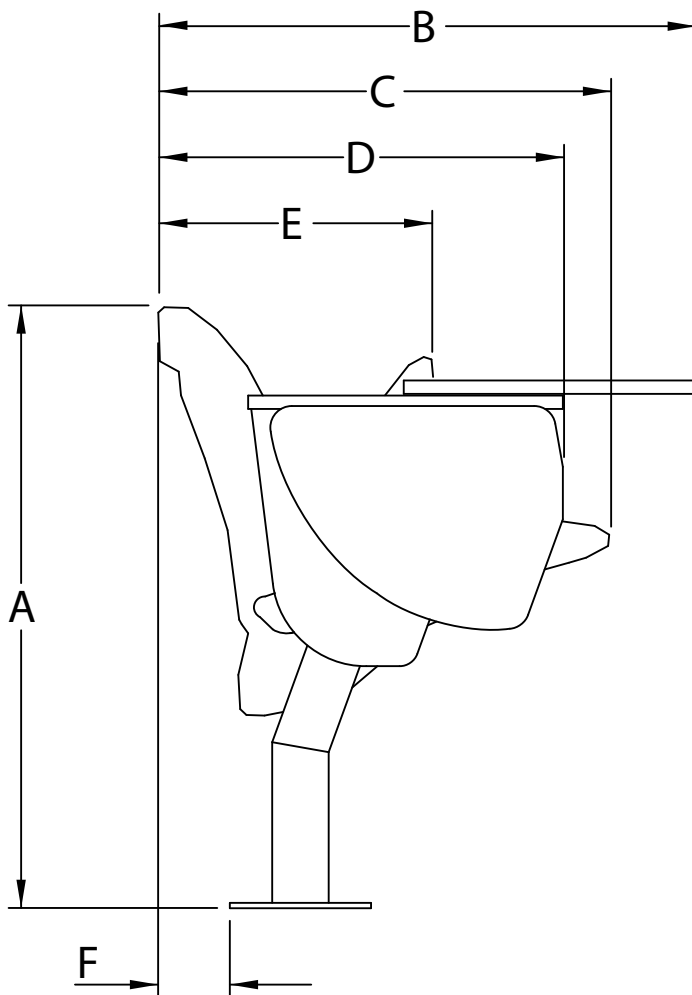




30.32.36TA Patriot

Floor Mount with Tablet Arm



EXPLANATION OF DIMENSIONS

- A = Back Height
- B = T-arm In Writing Position
- C = Seat In Down Position
- D = T-arm In Down Position
- E = Seat In Up Position
- F = Back Pitch Allowance

DIM	BACK PITCH
	STANDARD
A	32
B	28 1/2
C	23 5/8
D	21 1/2
E	14 1/2
F	3 5/8

NEW 10/28/03 DEW (NOT TO SCALE)