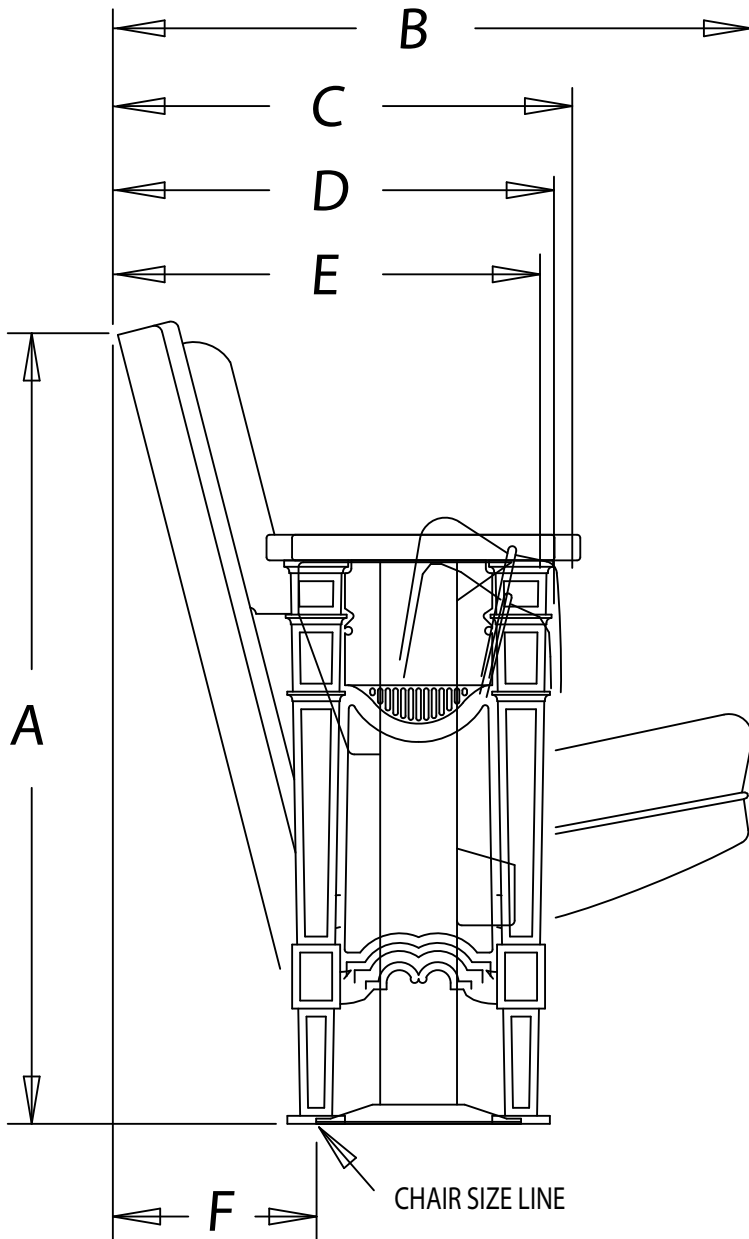


# 10.6.03 Grand Rapids

Floor Mount



### EXPLANATION OF DIMENSIONS

- A = Back Height
- B = Seat In Down Position
- C = Rear Of Back To  
Front Of End Arm
- D = Seat In Up Position
- E = Rear Of Back To  
Front Of Ctr. Arm
- F = Back Pitch Allowance

DIM	BACK PITCH	
	20°	16°
A	32 1/4	33 1/8
B	29	27 7/8
C	21 1/4	20 1/8
D	22 1/2	21 3/8
E	20 1/4	19 1/8
F	11	9 7/8

NOTE: BACK PITCH ALLOWANCE IS FROM THE REAR OF THE CENTER STANDARD FOOT.

REVISED 4/10/06