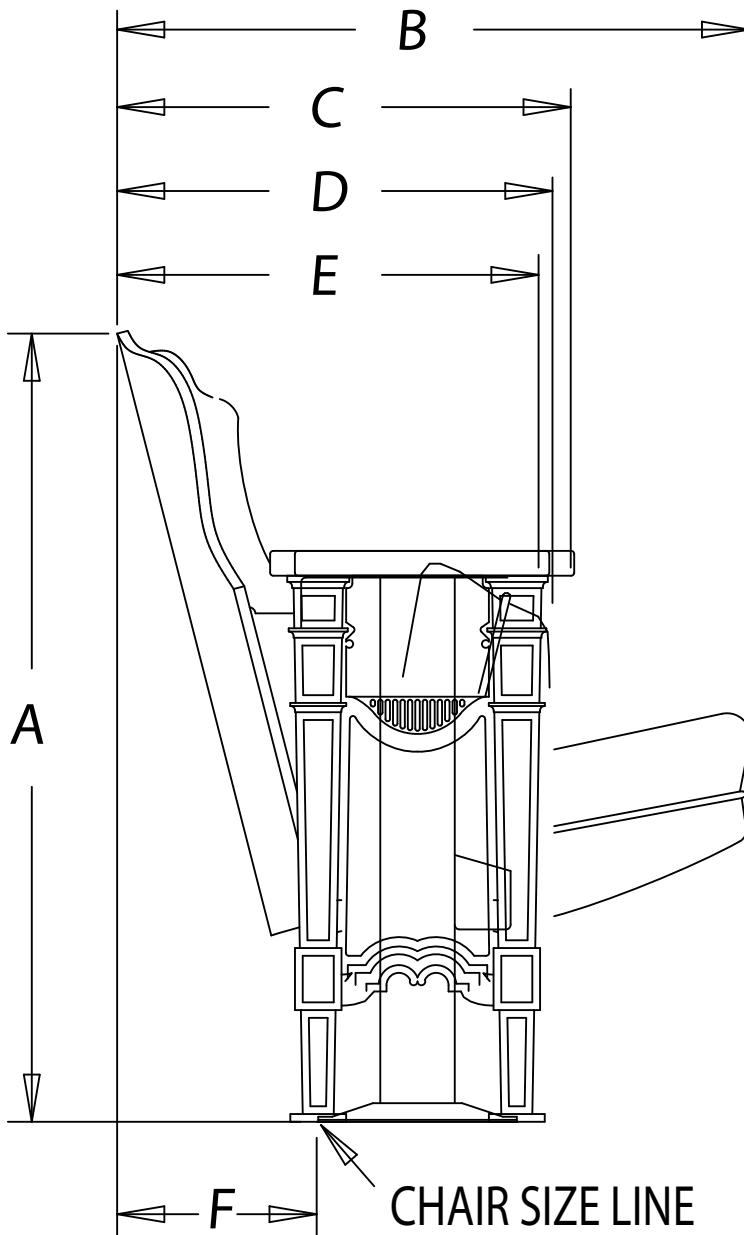


11.12.155 Springfield

with 3/4 Fold Seat



EXPLANATION OF DIMENSIONS

- A = Back Height
- B = Seat In Down Position
- C = Rear Of Back To Front Of End Arm
- D = Seat In Up Position
- E = Rear Of Back To Front Of Ctr. Arm
- F = Back Pitch Allowance

DIM	BACK PITCH	
	20°	16°
A	32 1/4	33
B	31	29 3/4
C	21 3/8	20 1/8
D	21 1/4	20
E	20 1/4	19
F	11	9 3/4

NOTE: BACK PITCH ALLOWANCE IS FROM THE REAR OF THE CENTER STANDARD FOOT