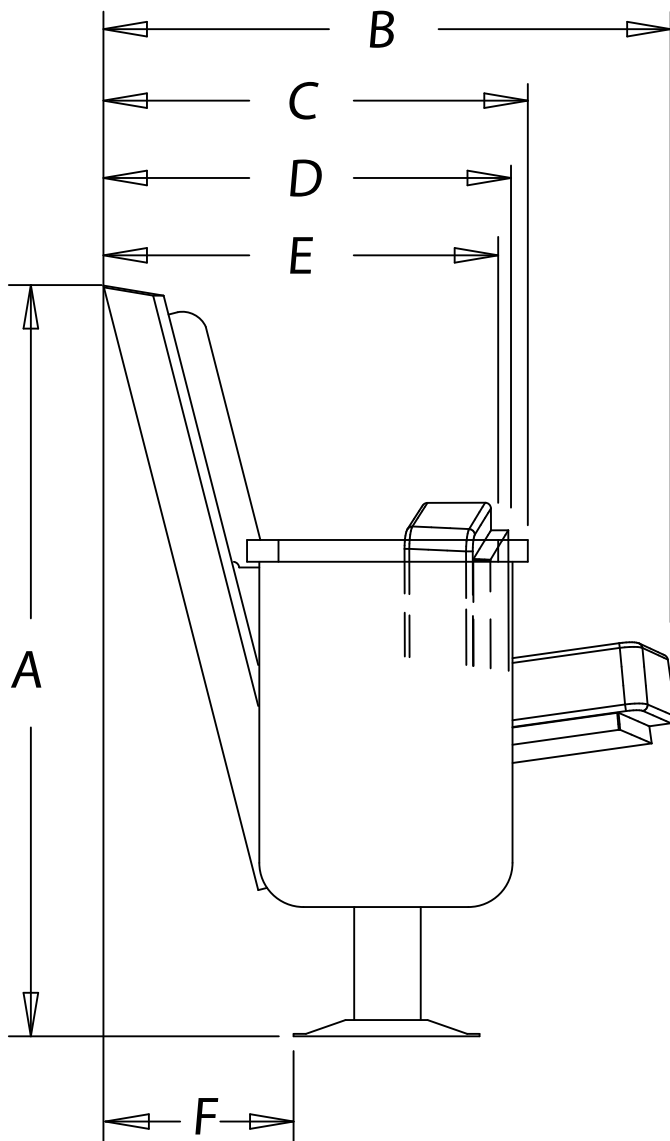


27.17.56 Allegro Short Back Floor Mount-3/4 Fold



EXPLANATION OF DIMENSIONS

A = Back Height

B = Seat In Down Position

C = Rear Of Back To
Front Of End Arm

D = Seat In Up Position

E = Rear Of Back To
Front Of Ctr. Arm

F = Back Pitch Allowance

DIM	BACK PITCH	
	20°	16°
A	30 1/2	31 1/4
B	28 1/4	27 1/2
C	20 7/8	20
D	18 3/8	17 1/2
E	19 1/2	18 3/4
F	10 3/8	9 1/2