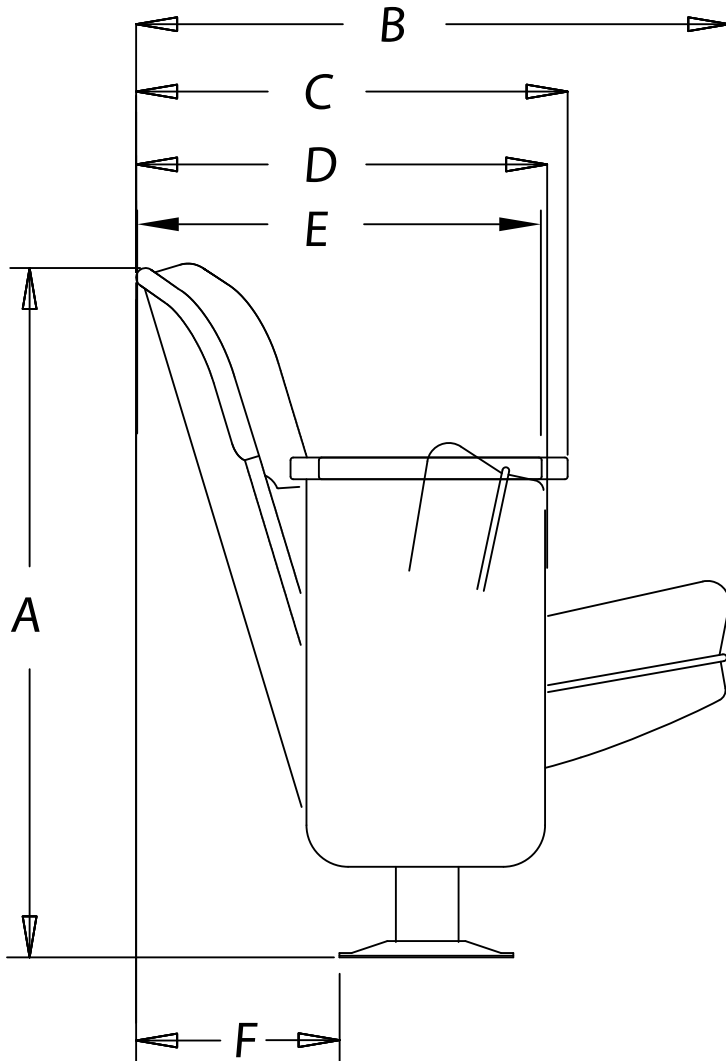


29.12.56 Rialto

Floor Mount with 3/4 Fold Seat



EXPLANATION OF DIMENSIONS

A = Back Height

B = Seat In Down Position

C = Rear Of Back To
Front Of End Arm

D = Seat In Up Position

E = Rear Of Back To
Front Of Center Arm

F = Back Pitch Allowance

DIM	BACK PITCH	
	20°	16°
A	31 5/8	32 3/8
B	28 7/8	28
C	20 1/4	19 3/8
D	18 7/8	18
E	19 1/2	18 5/8
F	8 5/8	7 3/4

REVISED 4/17/06