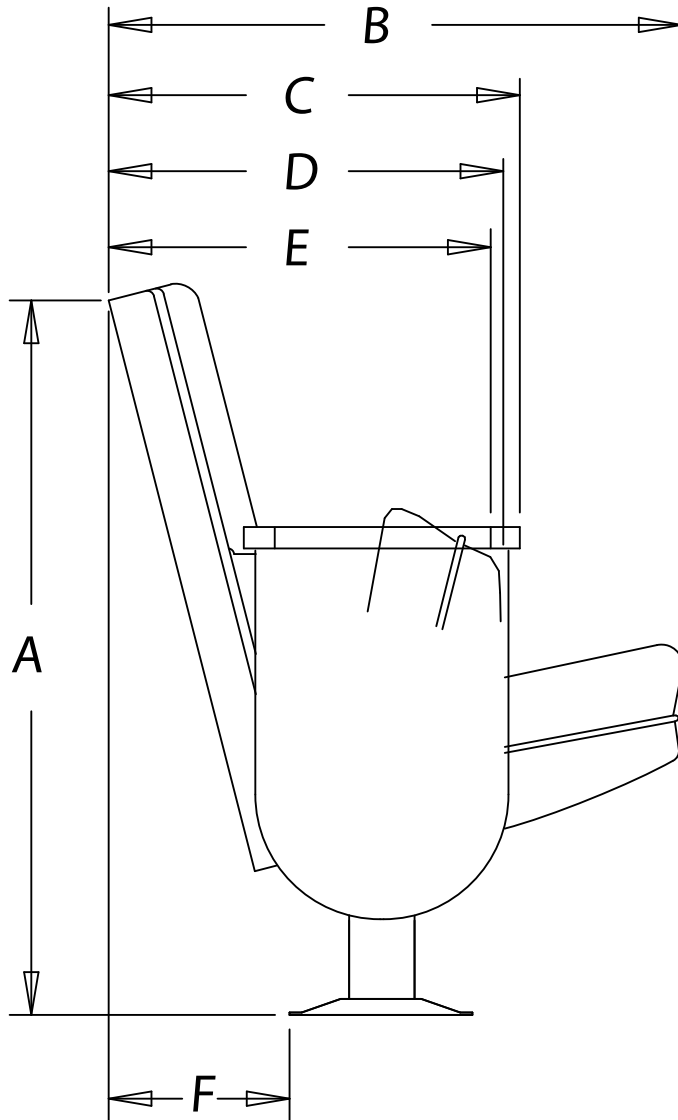


6.12.66 Century PAC 8.12.66 Meteor



EXPLANATION OF DIMENSIONS

A = Back Height

B = Seat In Down Position

C = Rear Of Back To
Front Of End Arm

D = Seat In Up Position

E = Rear Of Back To
Front Of Ctr. Arm

F = Back Pitch Allowance

| DIM | BACK PITCH | |
|-----|------------|--------|
| | 20° | 16° |
| A | 32 1/4 | 33 1/8 |
| B | 31 1/4 | 30 1/8 |
| C | 21 3/8 | 20 1/4 |
| D | 21 1/4 | 20 1/8 |
| E | 20 1/4 | 19 1/8 |
| F | 11 | 9 7/8 |

REVISED 1/17/07