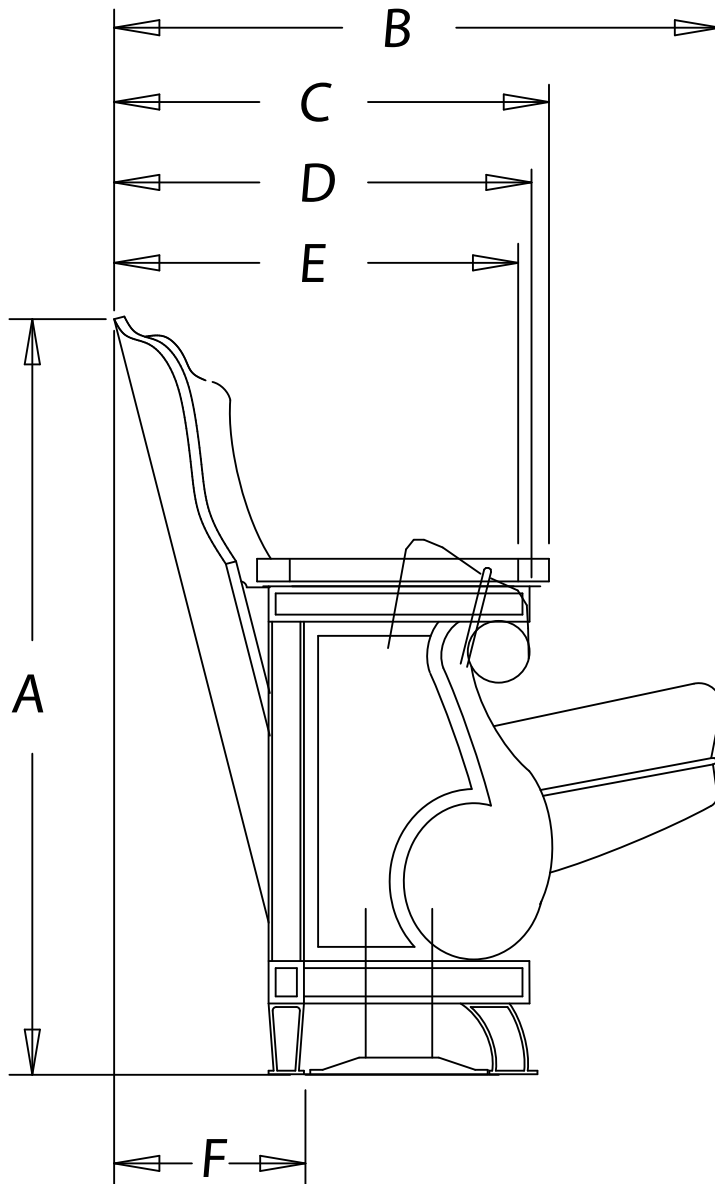


82.6.142 Orpheum



EXPLANATION OF DIMENSIONS

- A = Back Height
- B = Seat In Down Position
- C = Rear Of Back To
Front Of End Arm
- D = Seat In Up Position
- E = Rear Of Back To
Front Of Ctr. Arm
- F = Back Pitch Allowance

DIM	BACK PITCH	
	20°	16°
A	32 7/8	33 3/8
B	30 1/8	28 7/8
C	20 1/2	19 1/4
D	21 1/8	19 7/8
E	19 7/8	18 5/8
F	9 3/4	8 1/2