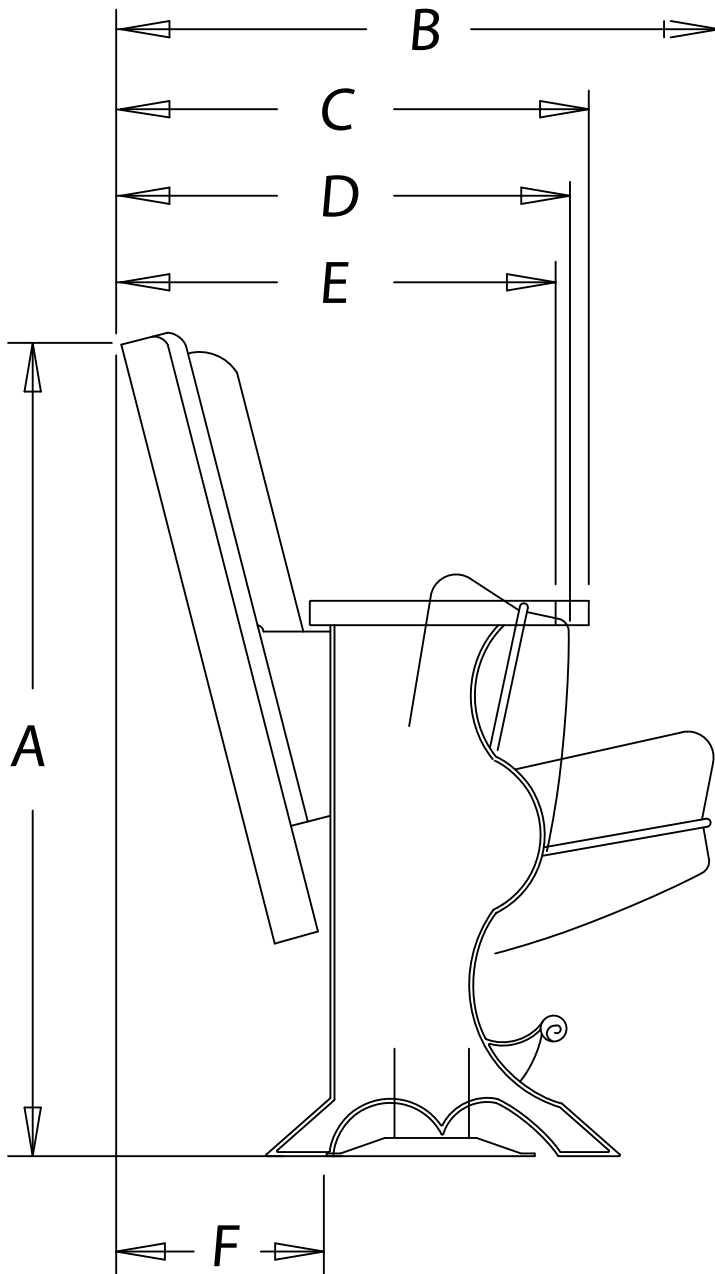


83.12.158 New Amsterdam



EXPLANATION OF DIMENSIONS

A = Back Height

B = Seat In Down Position

C = Rear Of Back To
Front Of End Arm

D = Seat In Up Position

E = Rear Of Back To
Front Of Ctr. Arm

F = Back Pitch Allowance

DIM	BACK PITCH	
	20°	16°
A	34 3/4	35 3/4
B	30 1/4	29 1/2
C	20 1/2	19 3/4
D	21 1/8	20 3/8
E	20	19 1/4
F	10 1/4	9 1/2

REVISED 1/17/07