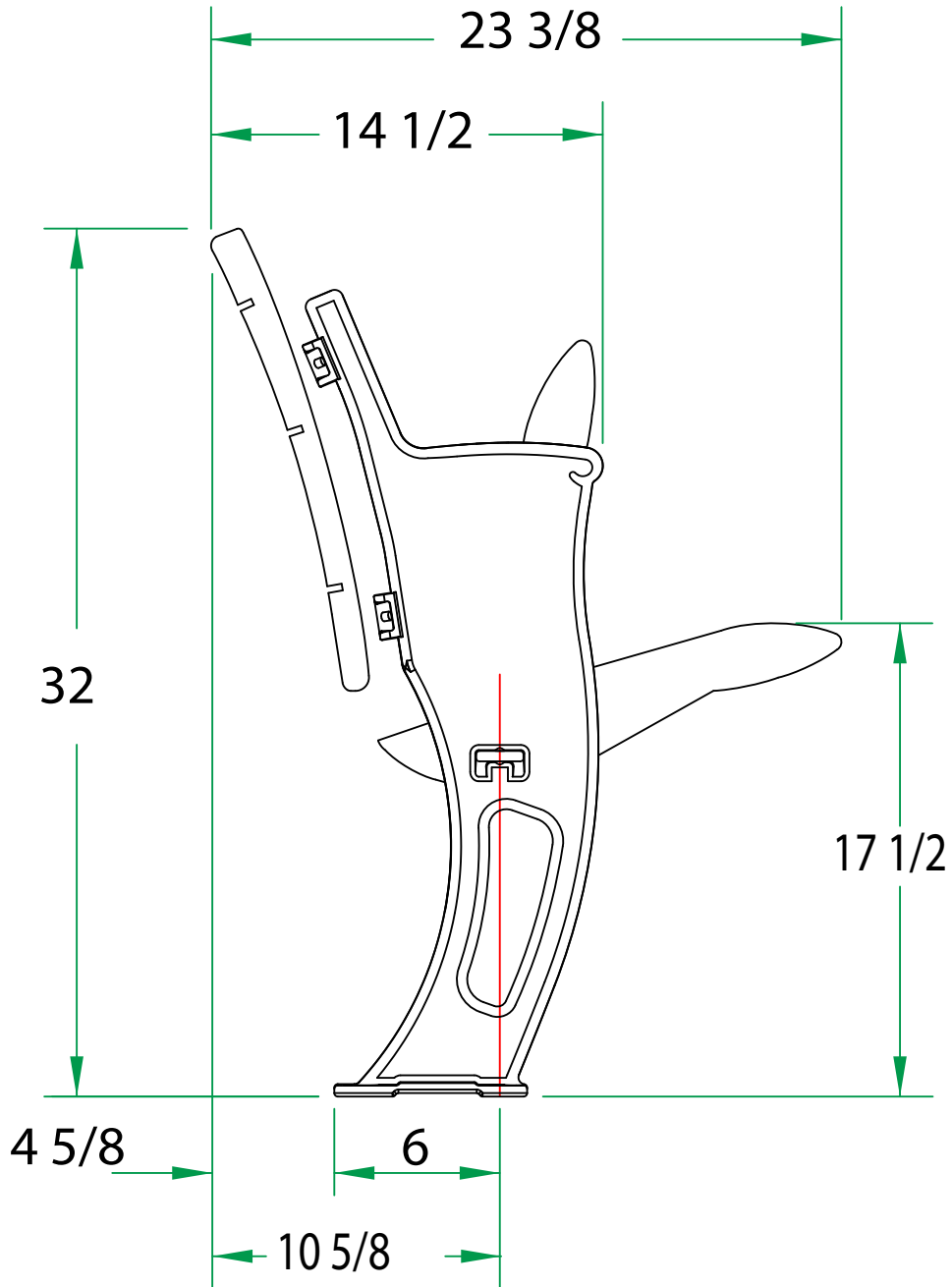


# 39.12.35 Senator

Floor Mount with 3/4 Fold Seat



\*CHAIR SIZE LINE