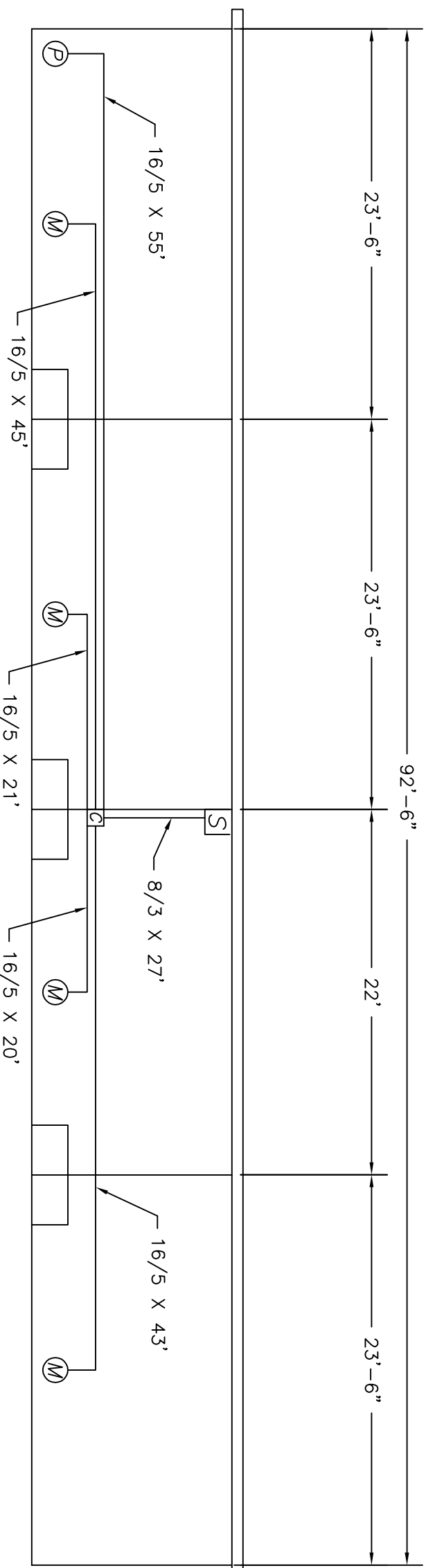


Irwin Telescopic Seating Company

IRWIN TELESCOPIC SEATING CO.
 US ROUTE 40 EAST
 PO BOX 320
 ALAMON, IL 62411
 Toll Free: (877) 597-1122
 Phone: (618) 483-6157
 Fax: (618) 483-5539
www.irwintelescopicseating.com



POWER REQUIREMENTS

NOTE: Readily accessible disconnection box and wiring (as required by N.E.C.) supplied and located by others.

Power Source Voltage: 120 Phase: single
 Amp: 30 Freq: 60 Hz



NOTE: 4'-0" A.F.F. Recommended Source Location

Aisle Lights Voltage: 120 VAC Phase: 1
 Amp: 15 Freq: 60 Hz



Notes: ~~120/24 Transformer by ITSC~~

Motor **Pendant** **Contactor** **Transformer**



Key Switch Alarm Limit Switches

A	MADE FPD	8/10/09	CEB	8-12-09	ZRT
No.	Revision/Issue	Rev Date	Drafter Initials	Appr'd Initials	Engineer Initials

LEWIS UNIVERSITY
ROMEOVILLE, IL

ELECTRICAL		DWG. NO. FPD	
SCALE: 1/8"=1'		DATE	
DRAWN BY: JHG		07/08/09	
CHECKED BY: ZRT		7-9-09	
SHEET 4		OF 5	
REV. NO. A		REV. NO. A	