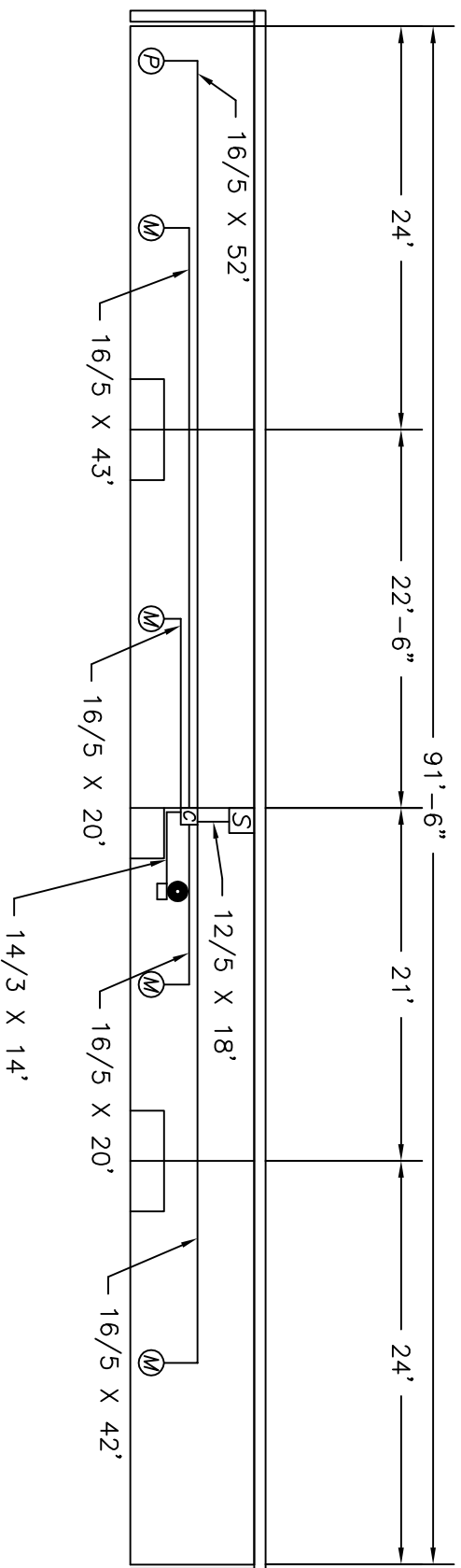


SHOP DRAWING
 GROUP 3
 AUX GYM
 MODEL 4500
 SHIPPING K D



A
 11
 ELECTRICAL - GROUP 3 (AUX GYM)
 SCALE: 3/32" = 1'-0"

Irwin Telescopic Seating Company
 IRWIN TELESCOPIC SEATING CO.
 US ROUTE 40 EAST
 PO BOX 320
 ALMAMON, IL 62411
 Toll Free: (877) 597-1122
 Phone: (618) 483-6157
 Fax: (618) 483-5539
 www.irwinteleseating.com

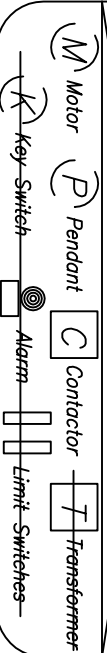
POWER REQUIREMENTS

NOTE: Readily accessible disconnection box and wiring (as required by N.E.C.) supplied and located by others.

Power Source Voltage: 208/230 VAC Phase: 3
 Amp: 20 Freq: 60 Hz

S NOTE: 5 wire w/ neutral & grd
 NOTE: 4'-0" A.F.F. Recommended Source Location

Aisle Lights Voltage: 120 VAC Phase: 1
 Amp: 15 Freq: 60 Hz
 Note: 120/24 Transformer by IISC



No.	Revision/Issue	Rev Date	Drafter Initials	Apprv'd Date	Engineer Initials
B	CHANGES PER MARKUPS	10/06/09	JHG		
A	MADE GROUPS 1&2 LARGER	08/12/09	JHG		

ARCANUM-BUTLER PK-12

ELECTRICAL		DWG. NO. SHOP	
SCALE: 3/32"=1'		PRJ. NO. D091654	
DRAWN BY: JHG	DATE: 07/20/09	SHEET 11	OF 12
CHECKED BY:		REV. NO. B	

ALTHOUGH BUILDING CODES HAVE BEEN CONSIDERED IN DEVELOPING THIS SEATING PLAN, VERIFICATION OF COMPLIANCE WITH BUILDING CODES IS THE EXCLUSIVE RESPONSIBILITY OF THE CUSTOMER AND/OR ARCHITECT.